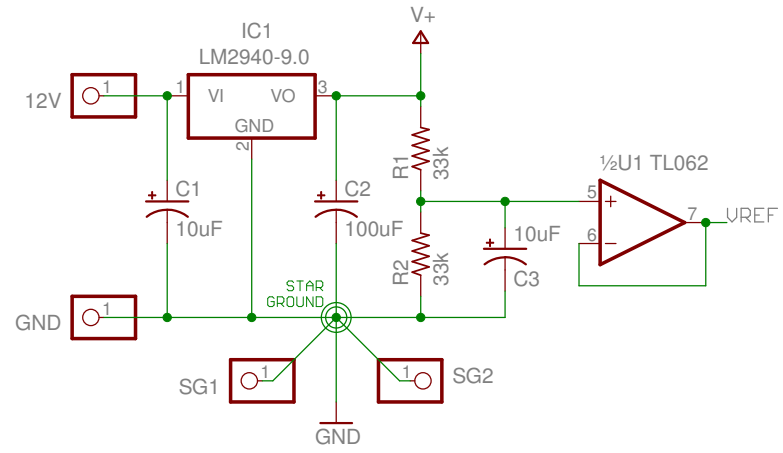
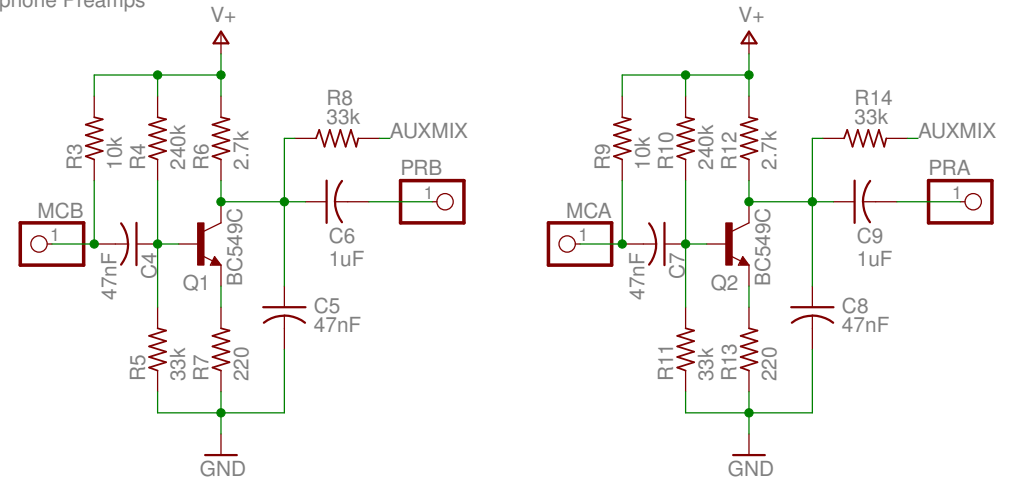


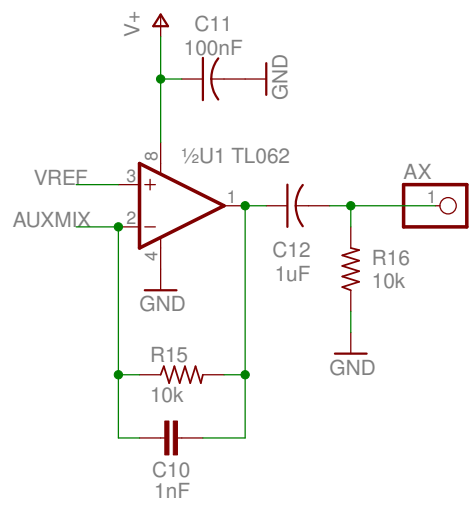
Power Supply



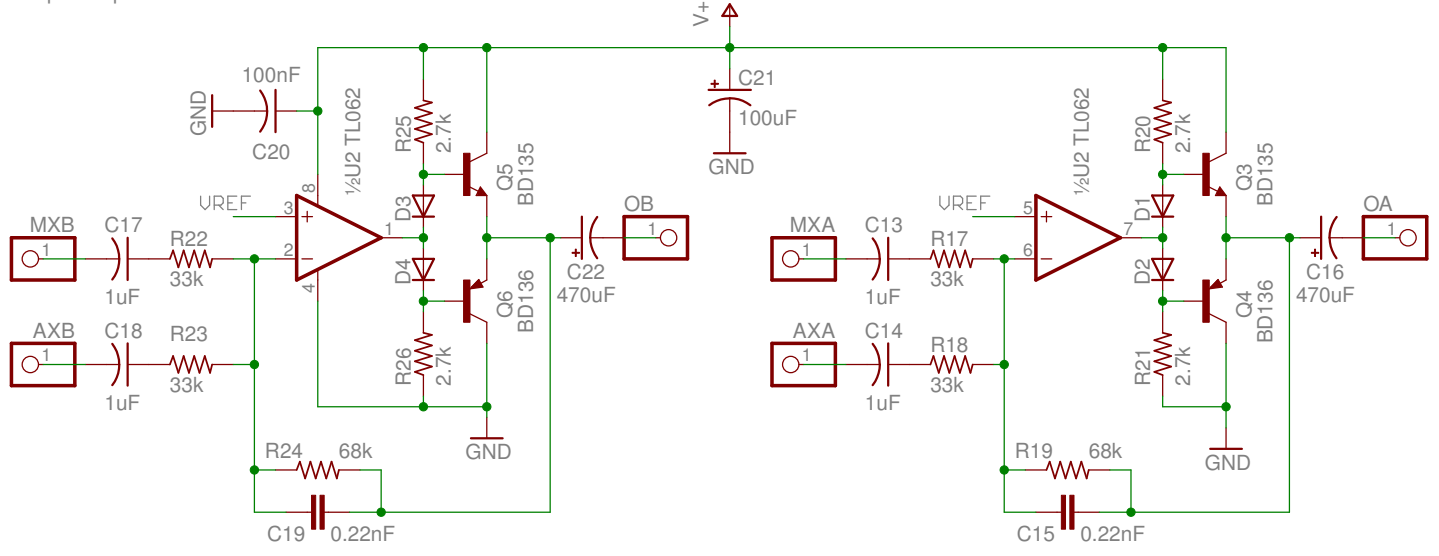
Microphone Preamps



Auxiliary Output Mixer



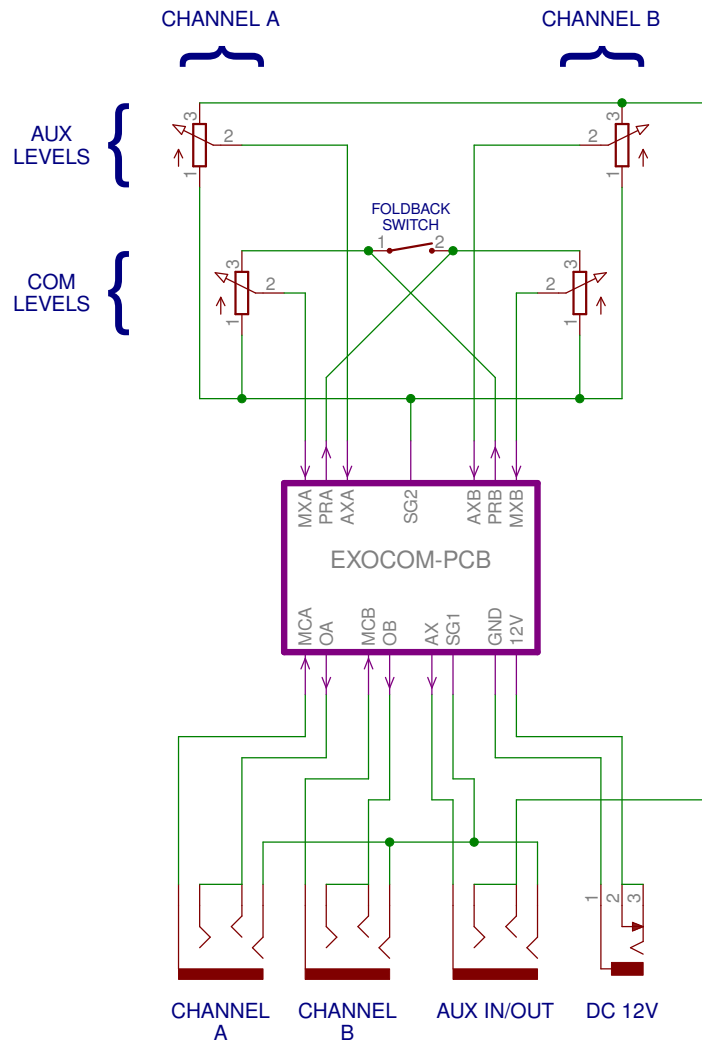
Output Amplifiers



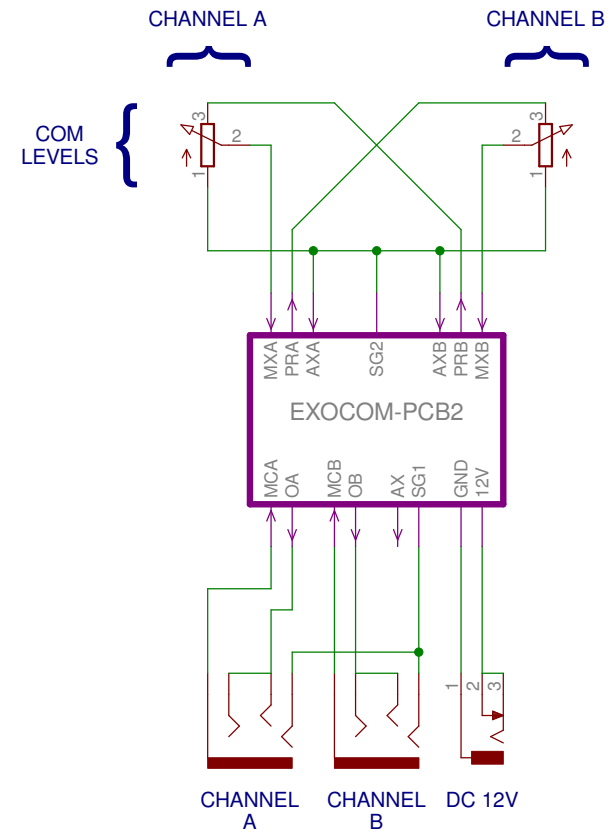
Exocom v2.1
 Automotive Intercom
 (C) 2017 R. Suchocki
 www.suchocki.co.uk/pcbs

Circuit Schematic
 11/04/2017 13:41
 Sheet: 1/1

Full Configuration



Minimal Configuration



Exocom v2.1
 Automotive Intercom
 (C) 2017 R. Suchocki
www.suchocki.co.uk/pcbs

External Connection	
Diagram	
11/04/2017 13:43	
Sheet: 1/1	